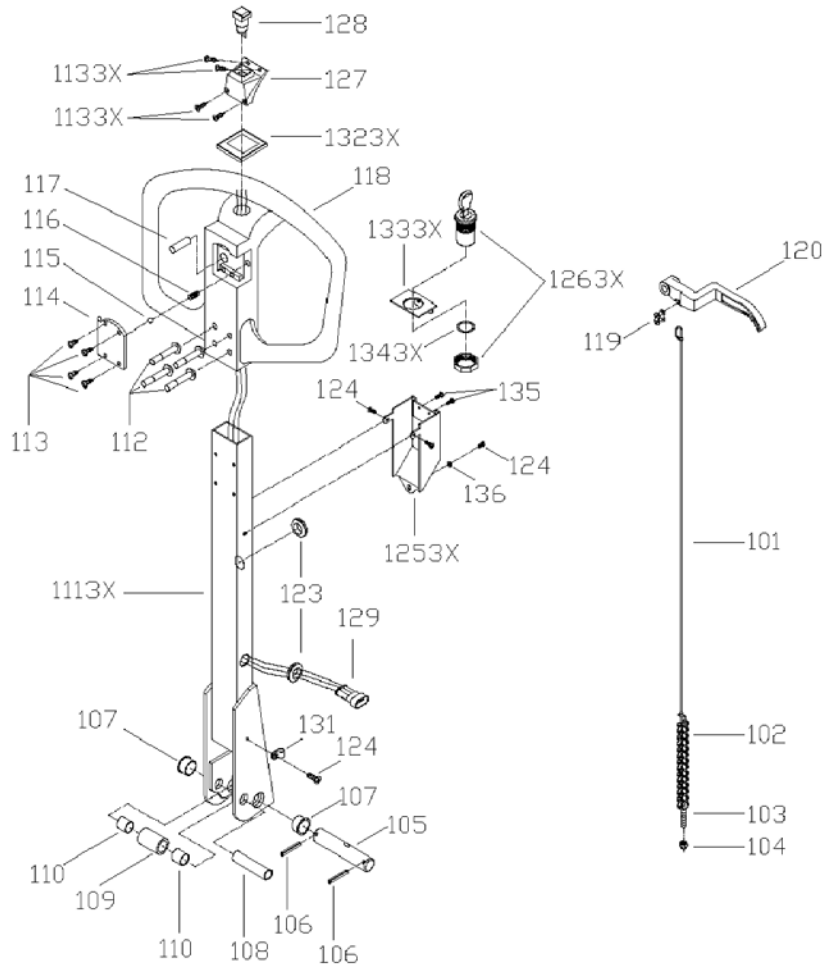


FOR MODELS MANUFACTURED AFTER 2015



REPLACEMENT PARTS LIST			
ITEM	PART NO.	DESCRIPTION	QTY.
101	132106	RELEASE ROD	1
102	132111	CHAIN	1
103	132112	ADJUSTING BOLT	1
104	132113	ADJUSTING NUT	1
105		AXLE WITH HOLE	1
106		ELASTIC PIN	2
107		BUSHING	2
108		ROLLER PIN	1
109		PRESSURE ROLLER	2
110		BUSHING	1
1113X		DRAW-BAR	4
112	132114	PIN	4
113	132115	SCREW	4
1133X		SCREW	1
114	132116	COVER	1
115	132107	BALL	1
116	132117	SPRING	1

REPLACEMENT PARTS LIST			
ITEM	PART NO.	DESCRIPTION	QTY.
117	132118	PIN	1
118	132119	HANDLE	1
119	132105	PIN	1
120	132120	CONTROLLING HANDLE	1
123		RUBBER BAND	2
124		SCREW	4
1253X	132100	COVER	1
1263X	132070	SWITCH	4
127		SOCKET OF BUTTON	1
128	132101	BUTTON	1
129		CONNECTOR PLUG	1
131		NYLON CLIPS	1
1323X		RUBBER PACKING	1
1333X		SOCKET OF SWITCH	1
1343X		O-RING	1
135		SCREW	2
136		GASKET	1

Electric High Lift

- 1 Year pump warranty.
- Non-Telescoping model.
- 12 volt battery charger included.
- 10-12 second lift time unloaded.
- Overload bypass.
- Polyurethane wheels.
- 180 degree steering radius.
- Comfort coated handles.
- 6.5" wide forks.
- 6" moldon polyurethane steering wheels.
- 3" moldon polyurethane load wheels.

Specifications

Capacity:	2,200 lbs
Fork Length:	45"
Fork Separation:	27"
Fork Width:	6.5"
Overall Length:	60"
Lowered/Raised:	3.3"/31"
Handle Height:	48.5"
Weight:	372 lbs

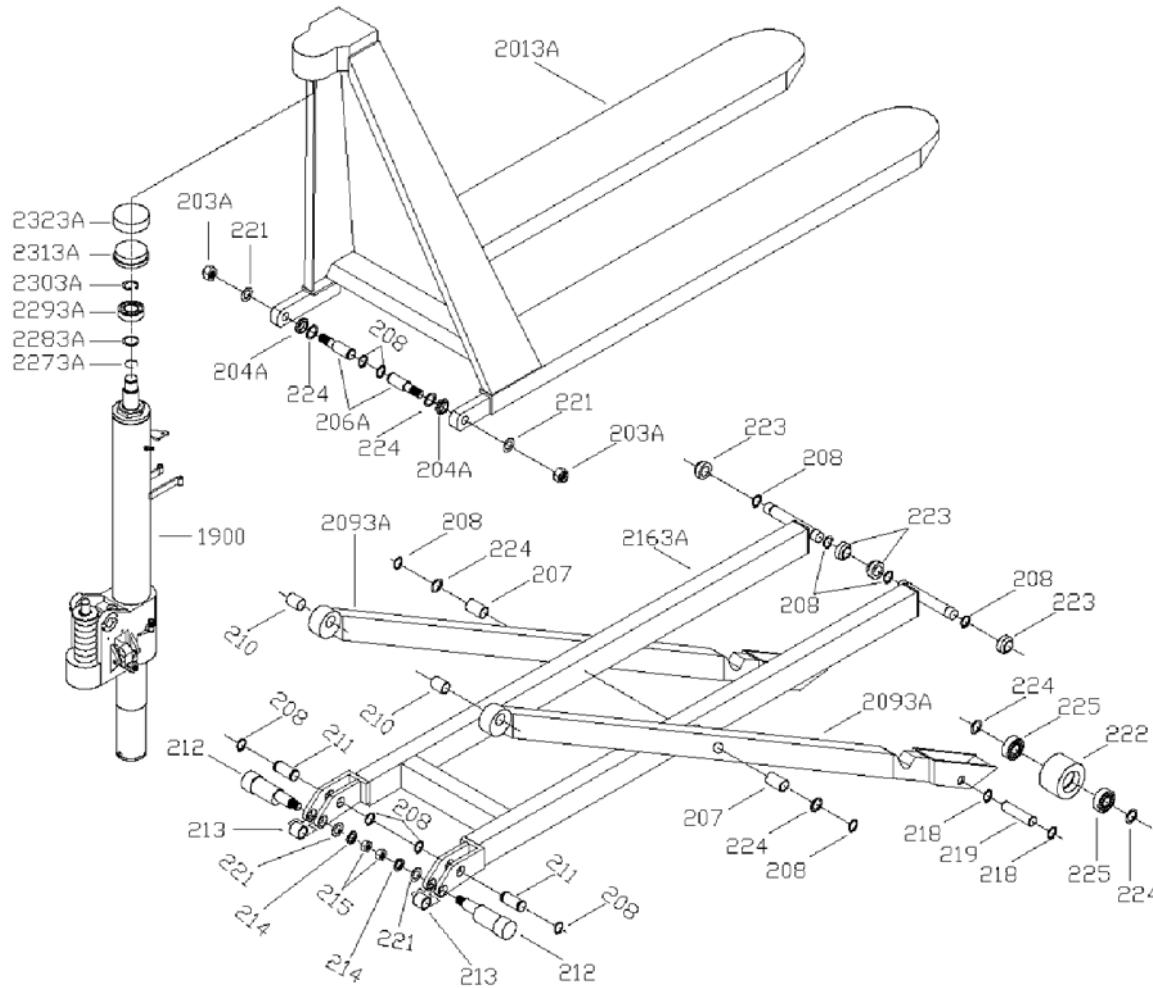
NOTE:

(Units Manufactured After 2015)
 (Units Manufactured Between 2010 & 2015)
 (Units Manufactured Before 2010)

shown on Pages 1-4
 shown on Pages 5-6
 shown on Pages 7-10

THIS DRAWING IN ALL PARTICULARS IS WESCO INDUSTRIAL PRODUCTS INC. PROPERTY. ALL RIGHTS OF DESIGN, INVENTION OR USE OF ARE RESERVED.

REV.	APP.	WESCO INDUSTRIAL PRODUCTS INC.	
		NORTH WALES PENNA. 19454	
		PART NAME Electric High Lift	
		DRAWN:	
REV.	APP.	CHECKED:	
		APP. ENGR.	
		SCALE:	
		TOLERANCE UNLESS OTHERWISE SPECIFIED	
REV.	APP.	FRACTION 3 PLACE DECIMAL 2 PLACE DECIMAL	
		± 1/64 ± .005 ± .01	
		ANGULAR ± 1-1/2° SHEET 1 OF 10	
		BREAK ALL SHARP EDGES AND REMOVE ALL BURRS	
		B- 272461	REV



REPLACEMENT PARTS LIST

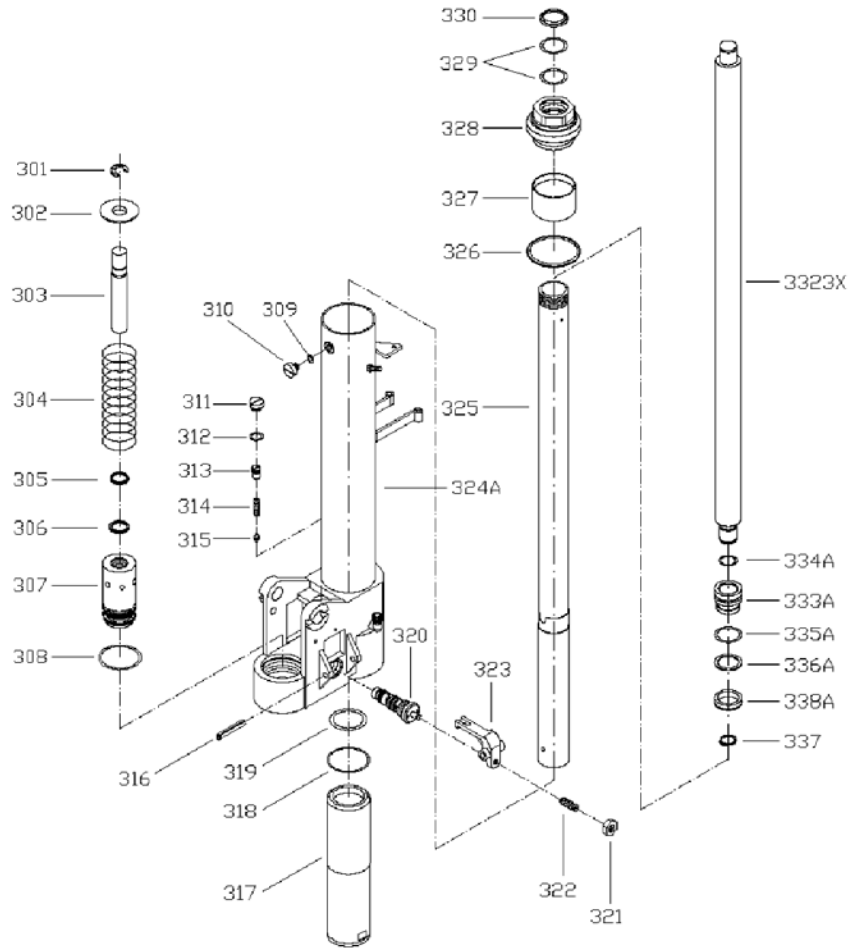
ITEM	PART NO.	DESCRIPTION	QTY.
2013A	132108	FORK FRAME	1
203A		LOCKNUT	2
204A		GASKET	2
206A		PIN	2
207		BUSHING	2
208	132103	ELASTIC COLLAR	12
2093A	132110	LIFT LEG	2
210		BUSHING	2
211	132102	PIN	2
212		CENTRIFUGAL AXLE	2
213		BUSHING	2
214		ELASTOMETRIC GASKET	2
215		NUT	2
2163A	132109	INNER LEG	1
218	132071	ELASTIC COLLAR	4
219	132072	SHAFT OF ROLLER	2
221		GASKET	4
222	132073	ROLLER	2
223		STEEL ROLLER	4
224	132074	GASKET	8
225	132075	BEARING	4
2273A		STEEL CABLE BAFFLE RING	1
2283A		WASHER	1
2293A		BALL BEARING	1
2303A		CIRCLIP FOR SHAFT	1
2313A		SEAT OF BEARING	1
2323A		RUBBER COVER	1
1900	132077	PUMP UNIT	1

THIS DRAWING IN ALL PARTICULARS IS WESCO INDUSTRIAL PRODUCTS INC. PROPERTY. ALL RIGHTS OF DESIGN, INVENTION OR USE OF ARE RESERVED.

REV. ECH & DATE REVISIONS APP	WESCO INDUSTRIAL PRODUCTS INC.		NORTH WALES PENNA. 19454	
	PART NAME		DRAWN:	
	Electric High Lift		CHECKED:	
	TOLERANCE UNLESS OTHERWISE SPECIFIED		APP. ENGR.	
FRACTION	3 PLACE DECIMAL	2 PLACE DECIMAL	SCALE:	
± 1/64	± .005	± .01		
ANGULAR ± 1-1/2"	SHEET 2 OF 10		B- 272461	
BREAK ALL SHARP EDGES AND REMOVE ALL BURRS				

272461

FOR MODELS MANUFACTURED AFTER 2015



REPLACEMENT PARTS LIST

ITEM	PART NO.	DESCRIPTION	QTY.
	301	LOCKING RING	1
	302	GASKET FOR SPRING	1
	303	PISTON	1
	304	SPRING	1
INCLUDED IN SEAL KIT	305	DUST RING	1
INCLUDED IN SEAL KIT	306	Y-RING	1
	307	PUMP CYLINDER	1
INCLUDED IN SEAL KIT	308	O-RING	1
INCLUDED IN SEAL KIT	309	SEAL GASKET	1
	310	SCREW PLUG	1
	311	SCREW PLUG	1
INCLUDED IN SEAL KIT	312	O-RING	1
	313	ADJUSTING BOLT	1
	314	SPRING	1
	315	SPINDLE SAFETY VALVE	1
	316	ELASTIC PIN	1
	317	LOWER CYLINDER	1
INCLUDED IN SEAL KIT	318	O-RING	1
INCLUDED IN SEAL KIT	319	O-RING	1
	320	132068 VALVE CARTRIDGE	1
	321	NUT	1
	322	SCREW	1
	323	LEVER PLATE	1
	324A	PUMP BODY	1
	325	CYLINDER	1
INCLUDED IN SEAL KIT	326	SEAL GASKET	1
	327	BUSHING	1
	328	SCREW COVER	1
INCLUDED IN SEAL KIT	329	O-RING	1
INCLUDED IN SEAL KIT	330	DUST RING	1
	3323X	PISTON ROD	1
	333A	PISTON	1
INCLUDED IN SEAL KIT	334A	O-RING	1
INCLUDED IN SEAL KIT	335A	O-RING	1
INCLUDED IN SEAL KIT	336A	GASKET	1
	337	ELASTIC COLLAR	1
INCLUDED IN SEAL KIT	339A	Y-RING	1
	132078	SEAL KIT	1

THIS DRAWING IN ALL PARTICULARS IS WESCO INDUSTRIAL PRODUCTS INC. PROPERTY. ALL RIGHTS OF DESIGN, INVENTION OR USE OF ARE RESERVED.

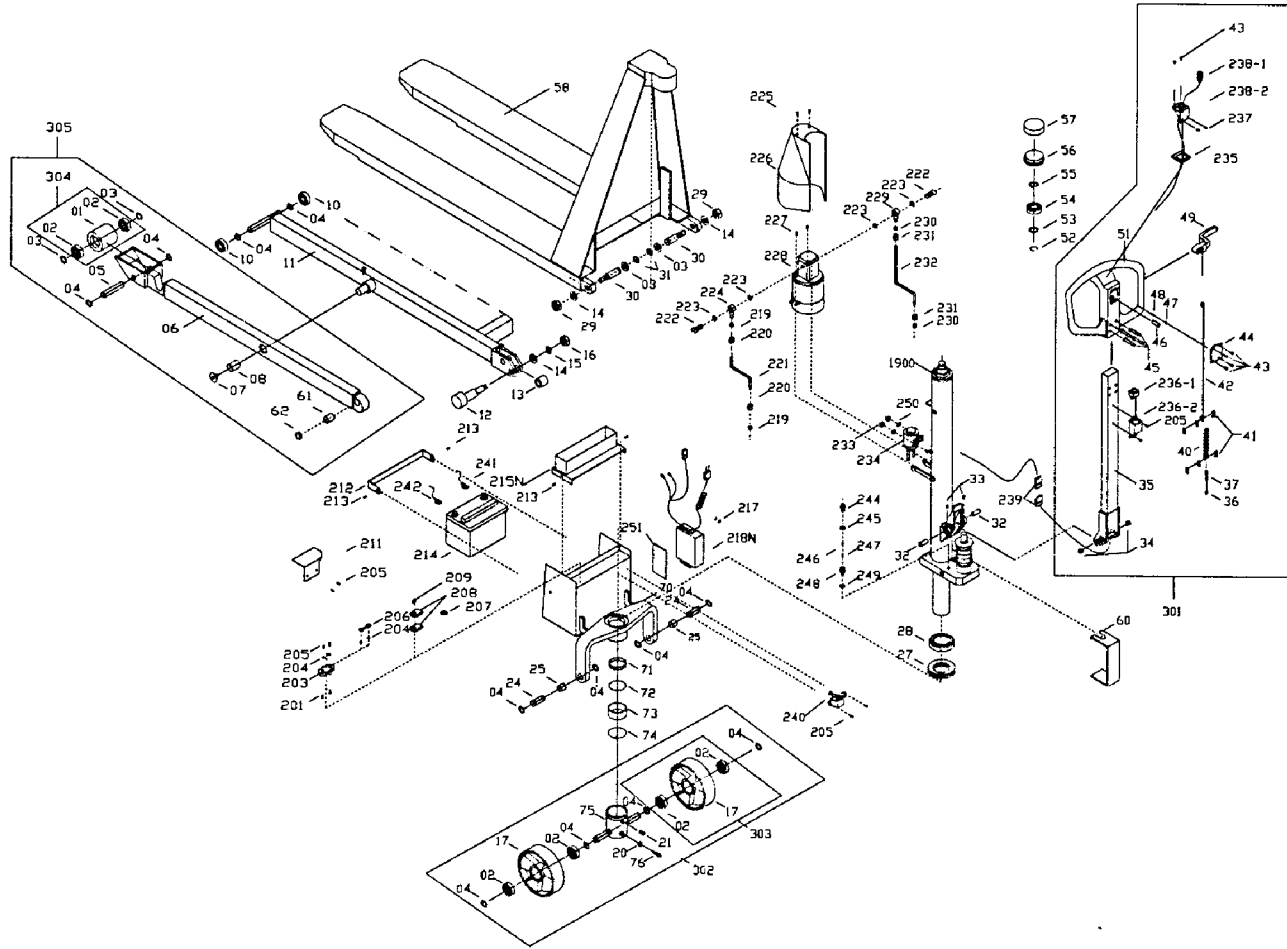
WESCO INDUSTRIAL PRODUCTS INC.
 NORTH WALES PENNA. 19454

PART NAME		DRAWN:	
Electric High Lift		CHECKED:	
TOLERANCE UNLESS OTHERWISE SPECIFIED		APP. ENGR.	
FRACTION	3 PLACE DECIMAL	2 PLACE DECIMAL	
± 1/64	± .005	± .01	
ANGULAR ± 1-1/2'	SHEET 3 OF 10	SCALE:	
BREAK ALL SHARP EDGES AND REMOVE ALL BURRS			

B- 272461 REV

272461

FOR MODELS MANUFACTURED BETWEEN 2010 & 2015



REPLACEMENT PARTS LIST			
ITEM	PART NO.	DESCRIPTION	QTY.
01	273728	FRONT WHEEL	2
02	272489	BALL BEARING	8
03		WASHER	6
04		SNAP RING	16
05		PIN	2
06		LEG	2
07	273658	SCREW	2
08		BUSH	2
10		BALL BEARING	4
11		LEG	1
12		CENTRIFUGAL AXLE	2
13		BUSH	2
14		WASHER	4
15		BUSH	2
16		NUT	2
17	272488	STEERING WHEEL	2
19		SCREW	2
20		NUT	1
21		SCREW	1
24		PIN	2
25		BUSH	2
27		BALL BEARING	1
28		SPACER	1
29		NUT	2
30		PIN	2
31		SNAP RING	2
32		PIN	2
33		SCREW	2
34		BUSH	2
35		HANDLE TUBE	1
36		NUT	3
37		EYE BOLT	1
40		CHAIN	1
41		CHAIN CONNECTOR	2
42		RELEASE ROD	1
43		SCREW	6
44		COVER	1
45		PIN	6
46		PIN	1
47		BALL	1
48		SPRING	1
49		RELEASE LEVER	1
51		HANDLE	1
52		RETAINING RING	1
53		WASHER	1
54		BALL BEARING	1
55		SNAP RING	1
56		SPACER	1
57		SPACER	1
58		FORK	1
60		HOOKING PLATE	1
61		SPACER	2
62		SPACER	2

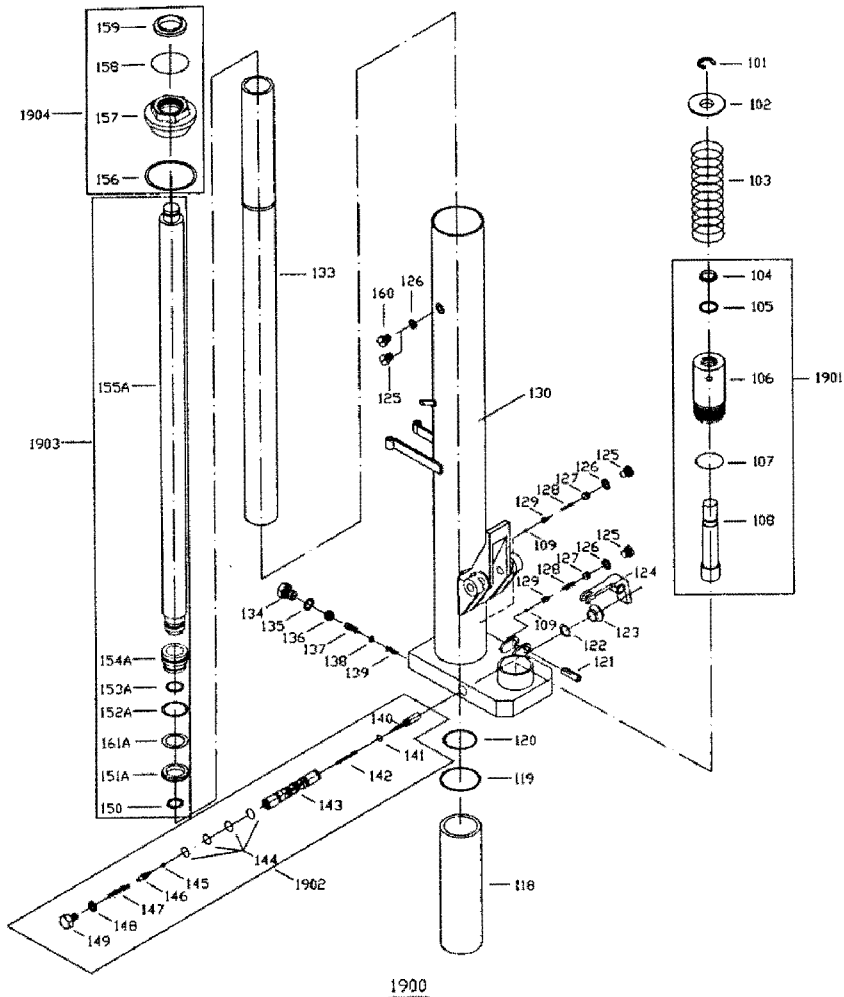
REPLACEMENT PARTS LIST			
ITEM	PART NO.	DESCRIPTION	QTY.
70		HOLD YOKE	1
71		BUSH	1
72		SNAP RING	1
73		BALL BEARING	1
74		BALL	42
75		WHEEL YOKE	1
76		SCREW	1
201		SCREW	2
203		FUSE BOX	1
204		NUT	4
205		SCREW	9
206		FUSE (160A)	1
207		FUSE (5A)	1
208		FUSE BOX	2
209		SCREW	4
211		COVER	1
212		PLATE	1
213		SCREW	4
214	109187	BATTERY	1
215N		COVER	1
217		SCREW	1
218N	272599	RECHARGER	1
219		SPACER	2
220		NUT	2
221		OIL PIPE	1
222		SCREW	2
223		WASHER	4
224		ADJUSTING SCREW	1
225		SCREW	2
226		COVER	1
227		SCREW	2
228	272479	PUMP	1
229		ADJUSTING SCREW	1
230	273655	SPACER	2
231	273656	NUT	2
232	273657	OIL PIPE	1
234		RELAY	1
235		WASHER	1
236-1		SWITCH	1
236-2		SWITCH BASE	1
237		SCREW	2
238-1		UP SWITCH	1
238-2		UP SWITCH BASE	1
239		SOCKET	1
240		VOLTAFE METER	1
241		BATTERY TERMINAL (-)	1
242		BATTERY TERMINAL (+)	1
244		ADJUSTING SCREW	1
245		WASHER	1
246		BALL	1
247		SPRING	1
248		ADJUSTING SCREW	1
249		WASHER	1
251		PLATE	1

REPLACEMENT ASSEMBLY LIST			
ITEM	PART NO.	DESCRIPTION	QTY.
301	273661	HANDLE ASSEMBLY (INCLUDES ITEMS #34, 35, 36, 37, 40, 41, 42, 43, 44, 45, 46, 47, 48, 49, 51, 236-1, 236-2, 205, 237, 238-1 & 238-2)	1
302		WHEEL YOKE ASSEMBLY (INCLUDES ITEMS #02, 04, 17, 20, 75 & 76)	1
303		WHEEL ASSEMBLY (INCLUDES ITEMS #02 & 17)	2
304		FRONT WHEEL ASSEMBLY (INCLUDES ITEMS #01 & 02)	2
305		LEG ASSEMBLY (INCLUDES ITEMS #01, 02, 03, 04, 05, 06, 07, 08, 61 & 62)	2

THIS DRAWING IN ALL PARTICULARS IS WESCO INDUSTRIAL PRODUCTS INC. PROPERTY. ALL RIGHTS OF DESIGN, INVENTION OR USE OF ARE RESERVED.

<p>WESCO INDUSTRIAL PRODUCTS INC. NORTH WALES PENNA. 19454</p>		<p>PART NAME</p> <p>Electric High Lift</p>	<p>DRAWN:</p> <p>CHECKED:</p> <p>APP. ENGR.</p>				
		<p>TOLERANCE UNLESS OTHERWISE SPECIFIED</p> <table border="1"> <tr> <td>FRACTION</td> <td>3 PLACE DECIMAL</td> <td>2 PLACE DECIMAL</td> </tr> <tr> <td>± 1/64</td> <td>± .005</td> <td>± .01</td> </tr> </table> <p>ANGULAR ± 1-1/2" SHEET 5 OF 10</p> <p>BREAK ALL SHARP EDGES AND REMOVE ALL BURRS</p>	FRACTION	3 PLACE DECIMAL	2 PLACE DECIMAL	± 1/64	± .005
FRACTION	3 PLACE DECIMAL	2 PLACE DECIMAL					
± 1/64	± .005	± .01					

REV.	EDN & DATE	REVISIONS



REPLACEMENT PARTS LIST			
ITEM	PART NO.	DESCRIPTION	QTY.
101		RETAINING RING	1
102		SPRING SEAT	1
103		SPRING	1
104		WIPE R	1
105		Y-RING	1
106		PUMP	1
107		O-RING	1
108		PLUNGER	1
109		BALL	2
118		CYLINDER BUSH	1
119		O-RING	1
120		O-RING	1
121		SNAP RING	1
122		SPLIT RING	1
123		RUBBER SLEEVE	1
124		PENDULUM SLEEVE	1
125		SCREW	2
126		O-RING	3
127		SCREW	2
128		SPRING	2
129		BALL SEAT	2
130		PUMP HOUSING	1
133		CYLINDER	1
134		SCREW	1
135		SEAL RING	1
136		SCREW	1

REPLACEMENT PARTS LIST			
ITEM	PART NO.	DESCRIPTION	QTY.
137		SCREW	1
138		PLATE	1
139		SPRING	1
140		RELEASE INDICATOR	1
141		O-RING	1
142		SPRING	1
143		VALVE INSERT	1
144		O-RING	4
145		BALL	1
146		RELEASE VALVE	1
147		SPRING	1
148		SEAL RING	1
149		SCREW	1
150		SNAP RING	1
151A		Y-RING	1
152A		O-RING	1
153A		O-RING	1
154A		PISTON	1
155A		PISTON ROD	1
156		SEAL RING	1
157		CYLINDER NUT	1
158		O-RING	1
159		SCRAPER RING	1
160		SCREW	1
161A		RETAINING RING	1

REPLACEMENT ASSEMBLY LIST

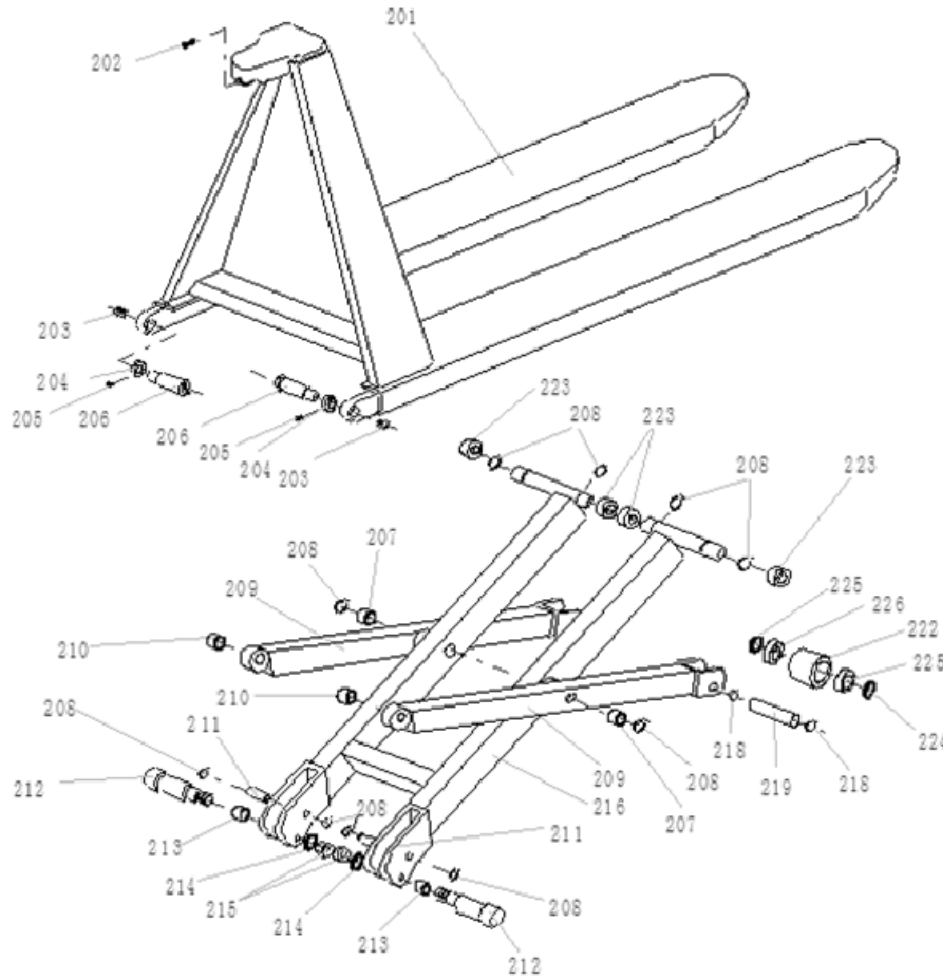
1900	273706	COMPLETE REPLACEMENT PUMP	1
1901		PUMP ASSEMBLY (INCLUDES ITEMS #104, 105, 106, 107 & 108)	1
1902		VALVE INSERT ASSEMBLY (INCLUDES ITEMS #140, 141, 142, 143, 144, 145, 146, 147, 148 & 149)	2
1903		PISTON ROD ASSEMBLY (INCLUDES ITEMS #150, 151A, 152A, 153A, 154A, 155A & 161A)	2
1904		CYLINDER NUT ASSEMBLY (INCLUDES ITEMS #156, 157, 158 & 159)	2

THIS DRAWING IN ALL PARTICULARS IS WESCO INDUSTRIAL PRODUCTS INC. PROPERTY. ALL RIGHTS OF DESIGN, INVENTION OR USE OF ARE RESERVED.

REV.	EON & DATE	REVISIONS	WESCO INDUSTRIAL PRODUCTS INC.	
			NORTH WALES PENNA. 19454	
			PART NAME Electric High Lift	
			DRAWN: CHECKED: APP. ENGR.	
TOLERANCE UNLESS OTHERWISE SPECIFIED			SCALE:	
FRACTION 3 PLACE DECIMAL 2 PLACE DECIMAL			SCALE:	
± 1/64 ± .005 ± .01			SCALE:	
ANGULAR ± 1-1/2'			SHEET 6 OF 10	
BREAK ALL SHARP EDGES AND REMOVE ALL BURRS			B- 272460	

272461

FOR MODELS MANUFACTURED BEFORE 2010



REPLACEMENT PARTS LIST

ITEM	PART NO.	DESCRIPTION	QTY.
201		FORK FRAME	1
202		BOLT	1
203		SCREW	2
204		GASKET	2
205		SCREW	2
206		PIN	2
207		BUSHING	2
208		ELASTIC COLLAR	10
209		LEFT LEG	2
210		BUSHING	2
211		PIN	2
212		CENTRIFUGAL AXLE	2
213		BUSHING	2
214		ELASTOMETRIC GASKET	2
215		NUT	2
216		INNER LEG	1
217			
218		ELASTIC COLLAR	4
219		SHAFT OF ROLLER	2
220			
221			
222	270093	ROLLER	2
223		STEEL ROLLER	4
224		GASKET	4
225	270092	BEARING	4

THIS DRAWING IN ALL PARTICULARS IS WESCO INDUSTRIAL PRODUCTS INC. PROPERTY. ALL RIGHTS OF DESIGN, INVENTION OR USE OF ARE RESERVED.

APP

REV. EDCN & DATE

REV.

REVISIONS

WESCO INDUSTRIAL PRODUCTS INC.
NORTH WALES PENNA. 19454

PART NAME

Electric High Lift

DRAWN:

CHECKED:

APP. ENGR.

SCALE:

TOLERANCE UNLESS OTHERWISE SPECIFIED

FRACTION 3 PLACE DECIMAL 2 PLACE DECIMAL

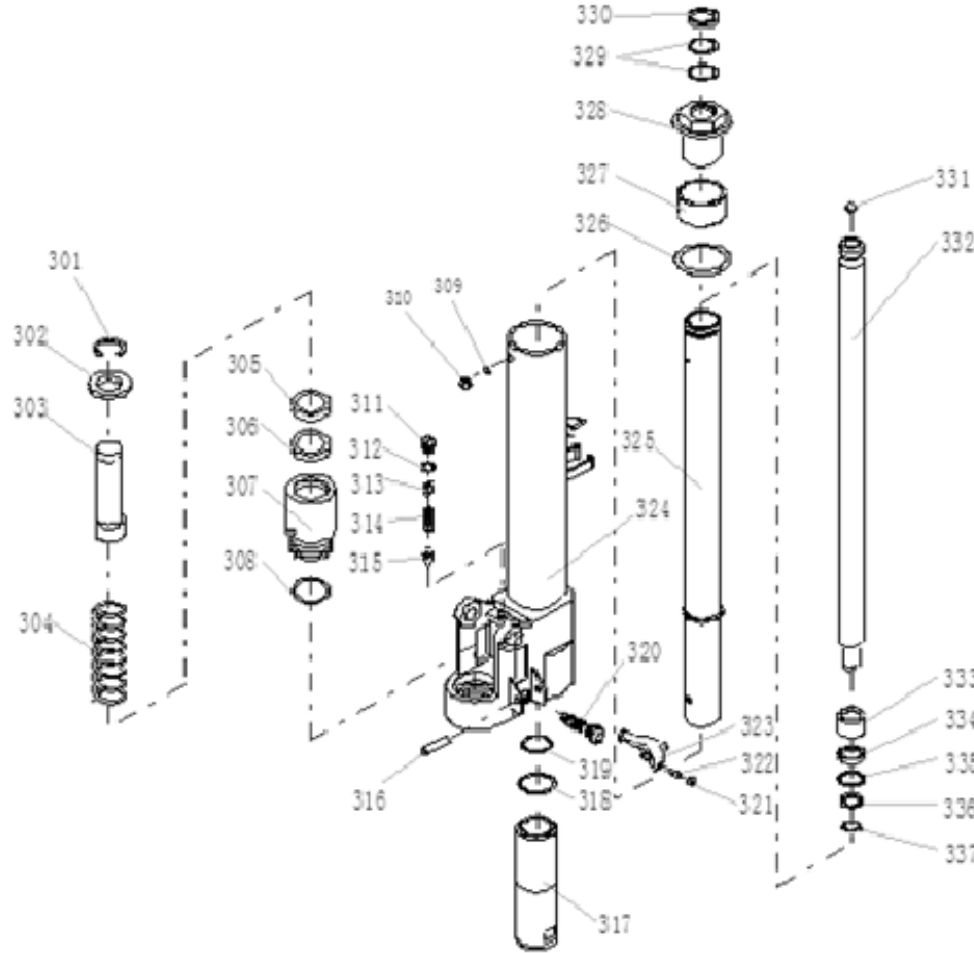
± 1/64 ± .005 ± .01

ANGULAR ± 1-1/2' SHEET 8 OF 10

BREAK ALL SHARP EDGES AND REMOVE ALL BURRS

B- 272461

REV



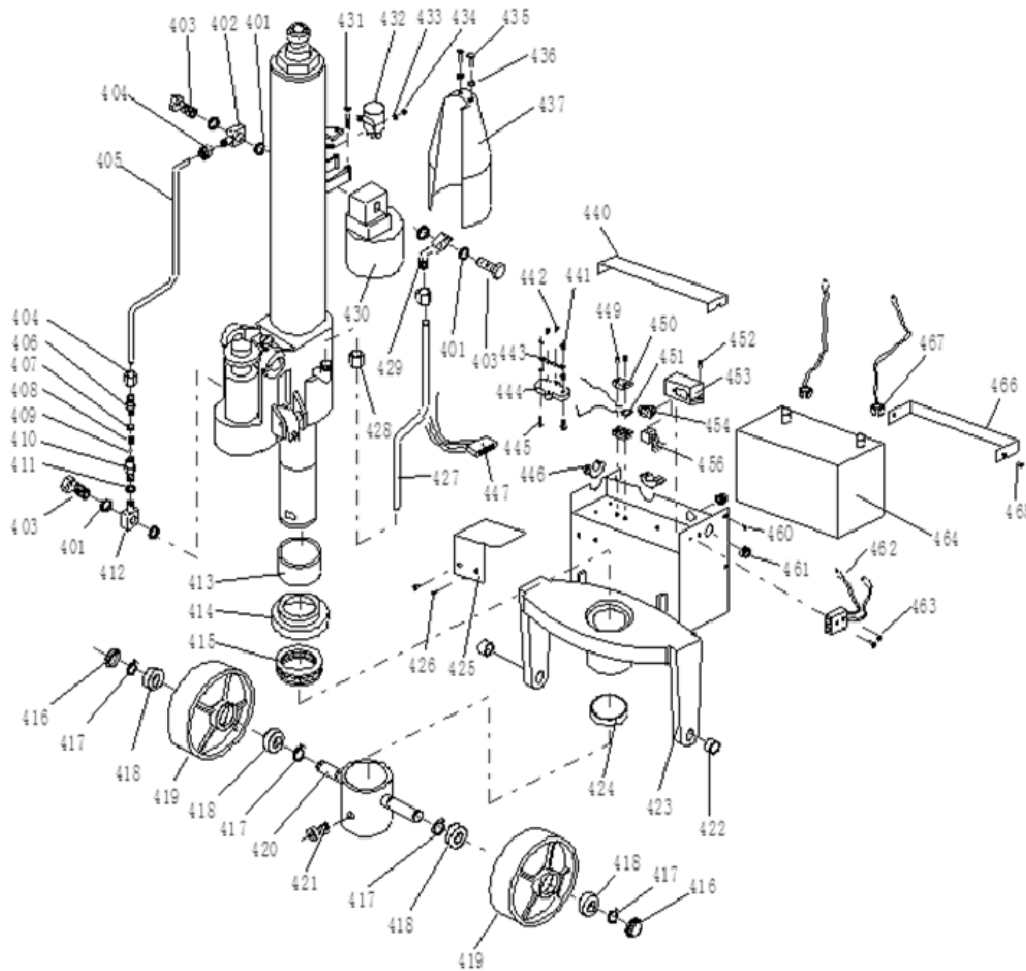
REPLACEMENT PARTS LIST

ITEM	PART NO.	DESCRIPTION	QTY.
KIT	272471	COMPLETE REPLACEMENT PUMP	1
301		LOCKING RING	1
302		GASKET FOR SPRING	1
303		PISTON	1
304		SPRING	1
305		DUST RING	1
306		Y-RING	1
307		PUMP CYLINDER	1
308		O-RING	1
309		SEAL GASKET	1
310		SCREW PLUG	1
311		SCREW PLUG	1
312		O-RING	1
313		ADJUSTING BOLT	1
314		SPRING	1
315		SPINDLE OF SAFETY VALVE	1
316		ELASTIC PIN	1
317		LOWER CYLINDER	1
318		O-RING	1
319		O-RING	1
320		VALVE CARTRIDGE	1
321		NUT	1
322		SCREW	1
323		LEVER PLATE	1
324		PUMP BODY	1
325		CYLINDER	1
326		SEAL GASKET	1
327		BUSHING	1
328		SCREW COVER	1
329		O-RING	1
330		DUST RING	1
331		STEEL BALL	1
332		PISTON ROD	1
333		PISTON	1
334		CUP PACKING	1
335		O-RING	1
336		GASKET	1
337		ELASTIC COLLAR	1

THIS DRAWING IN ALL PARTICULARS IS WESCO INDUSTRIAL PRODUCTS INC. PROPERTY. ALL RIGHTS OF DESIGN, INVENTION OR USE OF ARE RESERVED.

REV.	APP	WESCO INDUSTRIAL PRODUCTS INC.			
	ECN & DATE	NORTH WALES		PENNA. 19454	
		PART NAME		DRAWN:	
		Electric High Lift		CHECKED:	
REVISIONS	TOLERANCE UNLESS OTHERWISE SPECIFIED				
	FRACTION		2 PLACE DECIMAL		
	± 1/64		± .005		
	ANGULAR ± 1-1/2'		SHEET 9 OF 10		
BREAK ALL SHARP EDGES AND REMOVE ALL BURRS				SCALE:	
B- 272460				REV	

FOR MODELS MANUFACTURED BEFORE 2010



REPLACEMENT PARTS LIST

ITEM	PART NO.	DESCRIPTION	QTY.
401		SEAL GASKET	6
402		CONNECTOR	1
403		BOLT	3
404		NUT	2
405		OIL PIPE	1
406		CARVE TIE-IN	1
407		SEAL GASKET	1
408		SPRING	1
409		STEEL BALL	1
410		SEAT OF VALVE	1
411		SEAL GASKET	1
412		CONNECTOR	1
413	272500	BUSHING	1
414		SEAT OF BEARING	1
415		BEARING	1
416	272497	DUST COVER	2
417	272498	ELASTIC COLLAR	4
418	272499	BEARING	4
419	272501	WHEEL	4
420		HOLDING SITE FOR WHEEL	1
421		BOLT	1
422		BUSHING	2
423		THRUST PLATE	1
424		BUSHING	1
425		COVER	1
426		SCREW	2
427		OIL PIPE	1
428		NUT	2
429		CONNECTOR	1
430		MOTOR ASSEMBLY	1
431		BOLT	2
432		ELECTROMAGNETIC SWITCH	1
433		GASKET	2
434		NUT	2

REPLACEMENT PARTS LIST

ITEM	PART NO.	DESCRIPTION	QTY.
435		SCREW	2
436		GASKET	2
437		MOTOR COVER	1
438			
439			
440		BATTERY COVER	1
441		NUT	4
442		SCREW	2
443		FUSE	1
444		FUSE CARRIER	1
445		BOLT	2
446		RUBBERBAND	2
447		CONNECTOR PLUG	1
448			
449		SCREW	2
450		FUSE CARRIER	2
451		FUSE	1
452		SCREW	2
453		SEAT OF VOLTAGE METER	1
454		VOLTAGE METER	1
455			
456		CIRCUIT MODULE	1
457			
458			
459			
460		SCREW	2
461		RUBBERBAND	2
462		SOCKET	1
463		SCREW	2
464	109102	BATTERY	1
465		SCREW	2
466		BAFFLE	1
467		BATTERY WIRES	2
	272472	CHARGER	1

THIS DRAWING IN ALL PARTICULARS IS WESCO INDUSTRIAL PRODUCTS INC. PROPERTY. ALL RIGHTS OF DESIGN, INVENTION OR USE OF ARE RESERVED.

REV.	EON & DATE	REVISIONS	WESCO INDUSTRIAL PRODUCTS INC.	
			NORTH WALES PENNA. 19454	
			PART NAME Electric High Lift	
			DRAWN:	
			CHECKED:	
			APP. ENGR.	
			SCALE:	
			TOLERANCE UNLESS OTHERWISE SPECIFIED	
			FRACTION 3 PLACE DECIMAL 2 PLACE DECIMAL	
			± 1/64 ± .005 ± .01	
			ANGULAR ± 1-1/2° SHEET 10 OF 10	
			BREAK ALL SHARP EDGES AND REMOVE ALL BURRS	
			B- 272461	
			REV	

MANUAL & ELECTRIC HIGH LIFT LOAD CENTER ILLUSTRATION

For safe use,
center of mass of
load must be
within this area

16" From end of
forks to forward
wheel contact
point

Load centers forward
of front pivot wheel
may cause instability